

SMART DRUM

General:

The Matcon "Smart Drum" is part of the unique Matcontainer range of Intermediate Bulk Containers (IBCs), used for the storage and distribution of powders, granules and other materials. It comes in a range of small capacities, making it ideal for handling small batches.

Discharging:

The Smart Drum incorporates the Matcon Cone Valve at its outlet, which enables it to be discharged in a controlled and dust-tight manner using a Matcon Smart Drum Discharge Station. Unlike conventional drums, the Smart Drum does not need to be inverted to discharge it.

Filling:

Matcon supply a variety of manual or automatically operated Fill Heads, which attach to the Smart Drum inlet and provide a dust tight connection during filling.

Blending:

As an option the Smart Drum may be tumbled in a Smart Drum Blender to provide a quick and efficient means of homogenizing its contents. The Smart Drum is tumbled on an asymmetric axis to achieve optimum blend efficiency.

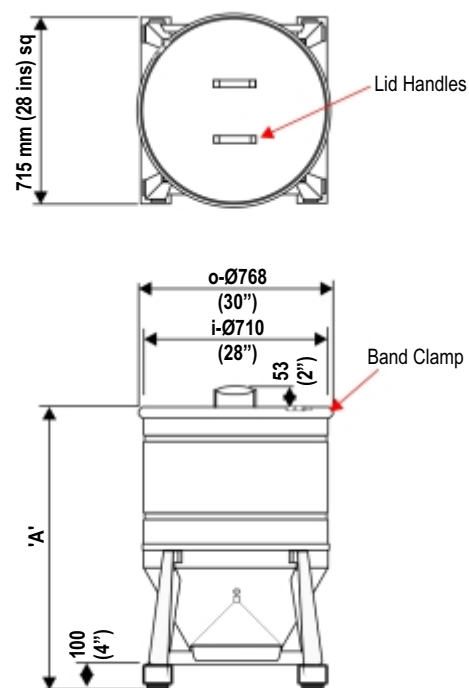
Cleaning:

The Smart Drum is designed to be easily and thoroughly cleaned. Matcon supply a variety of manual or automatically operated Smart Drum Wash Stations and Wash Booths.

Options:

As standard the Smart Drum is manufactured in Stainless Steel. The following options are available.

- 150 to 450 ltr /5.3 to 17 cu.ft. capacities.
- Stacking feature 2/3 high.
- Containment filling and discharging.
- IBC movement by either pallet/fork truck, chain/roller conveyor, overhead handling or AGV's.
- Certifiable to DOT 56/UN chapter 16 for transport of hazardous goods.
- Pharmaceutical version.



Capacity Ltr	150	300	450
inlet height mm	731	1110	1489

Capacity cu.ft.	5.3	10.6	15.9
inlet height ins	29	44	59