

# MATCONTAINER 'H' SERIES IBC

## General:

The "H" Series IBC is part of the unique Matcontainer range of Intermediate Bulk Containers (IBCs), used for the storage and distribution of powders, granules and other materials.

## Discharging:

The IBC incorporates the Matcon Cone Valve at its outlet, which enables it to be discharged in a controlled and dust-tight manner using a Matcon Discharge Station.

## Filling:

Matcon supply a variety of manual or automatically operated Fill Heads, which attach to the IBC inlet and provide a dust tight connection during filling.

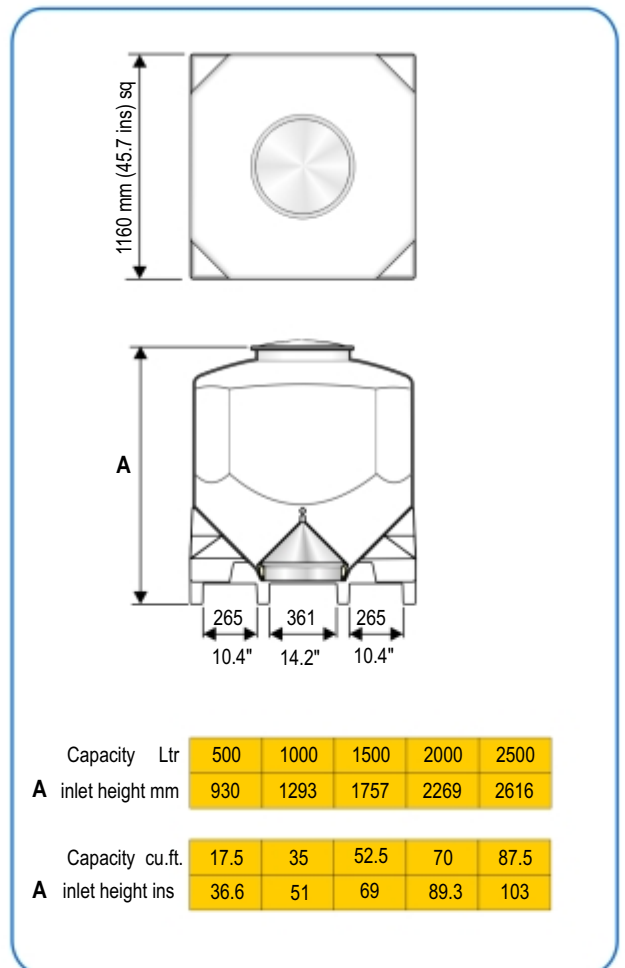
## Cleaning:

The IBC is designed to be easily and thoroughly cleaned. Matcon supply a variety of manual or automatically operated IBC Wash Stations and Wash Booths.

## Options:

As standard the IBC is manufactured in white polyethylene. The following options are available.

- Semi-conductive black polyethylene.
- Red, Yellow, Green or Blue polyethylene.
- 500 to 2500 ltr/17.5 to 87.5 cu.ft. capacities.
- IBC movement by either pallet/fork truck, chain/roller conveyor handling or AGV's.



This information and data is provided for illustrative purposes only and does not form part of any contract or agreement. The information and data may be updated and changed from time to time.