

HOPPER TRANSPORT TROLLEY & LIFT FRAME

General:

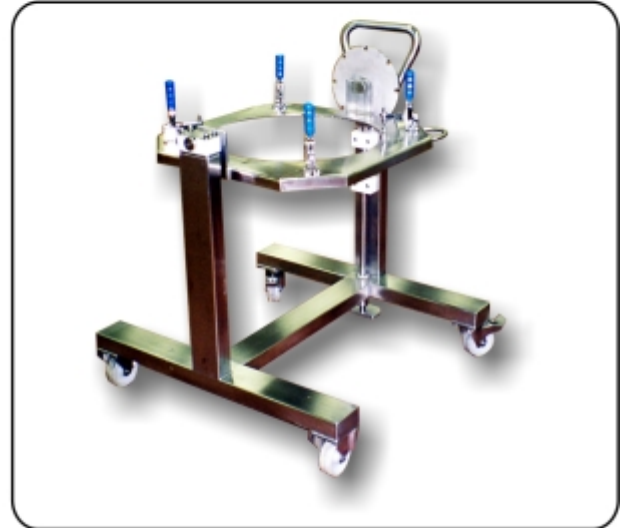
The Hopper Lift Frame & Transport Trolley are designed to enable simple removal and transportation of the central Hopper (product contact) portion of a Matcon IBC Discharge Station.

Hopper Removal – Lift Frame:

The Lift Frame fits onto the forks of a forklift or pedestrian stacker truck. Two chains with hooks are attached to the lifting eyes on the Discharge Station Hopper and the unit simply lifted clear of the Station Frame (quick release fittings enable the services to be unplugged before removal).

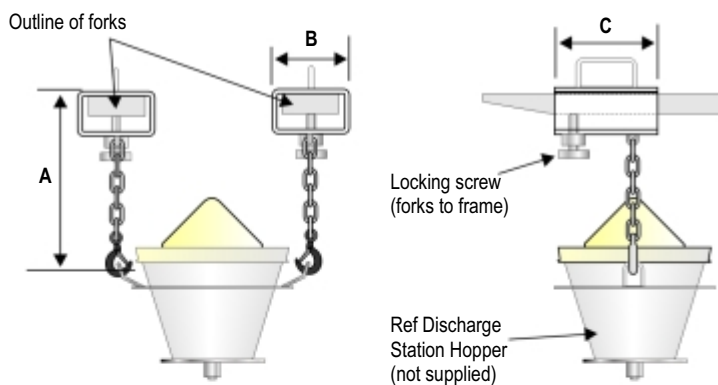
Hopper Transport Trolley:

Once removed from the Station, the Hopper may be placed into the Transport Trolley, where it is clamped securely. The Trolley enables the Hopper to be pushed manually to a location for manual cleaning, thus avoiding the need to use the forklift. The Hopper support on the Trolley may be inverted or inclined in order to allow full cleaning access to all the surfaces.



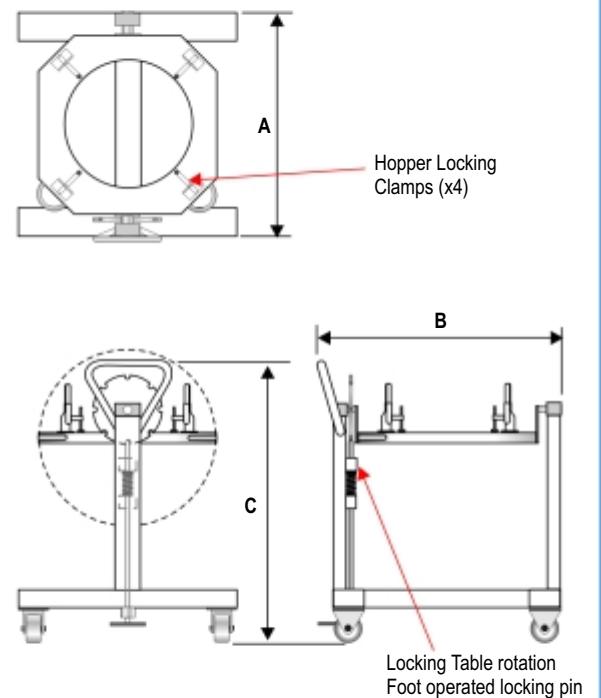
Certified lift capacity 100 kgs/pair

Lift Frame



dimension	A	B	C
mm	491	200	300
inches	19	8	12

Transport Trolley



dimension	A	B	C
mm	858	896	1009
inches	34	35	40

This information and data is provided for illustrative purposes only and does not form part of any contract or agreement. The information and data may be updated and changed from time to time.